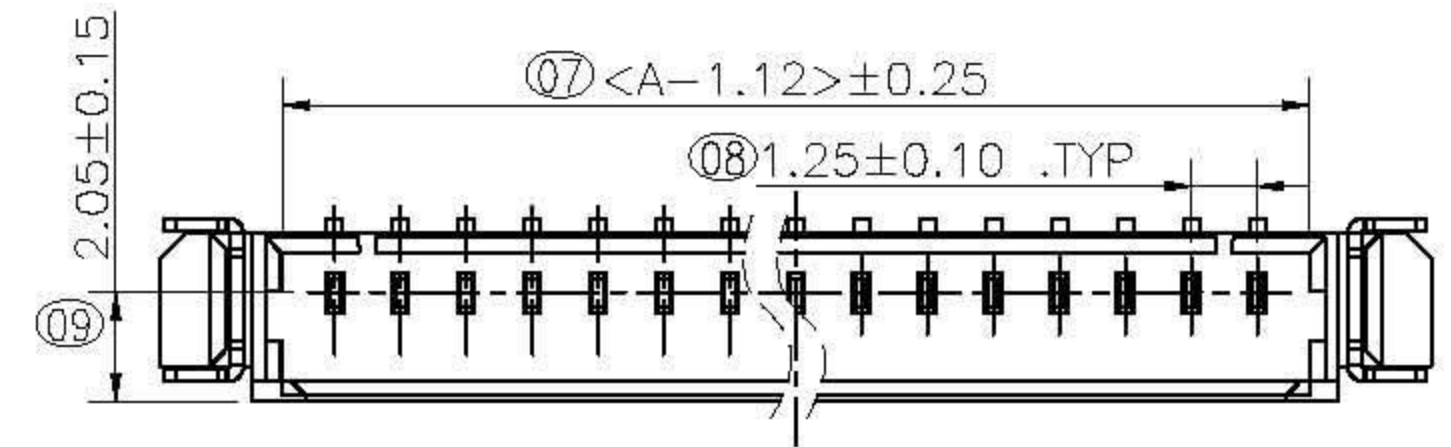
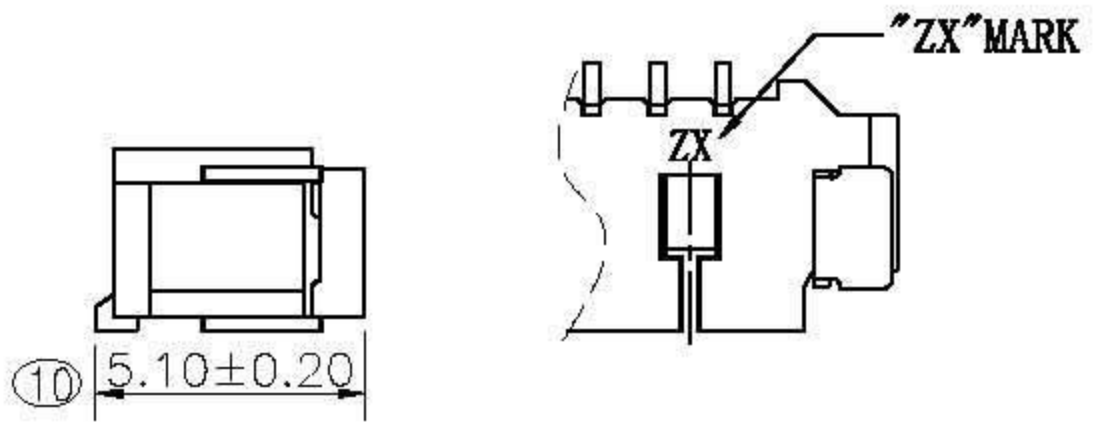
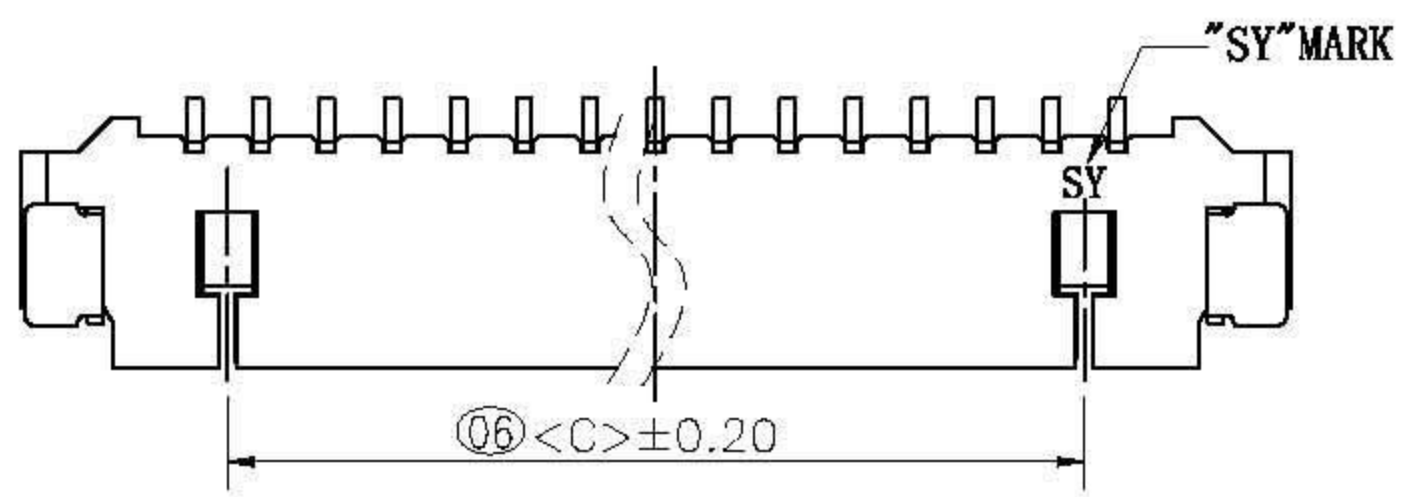
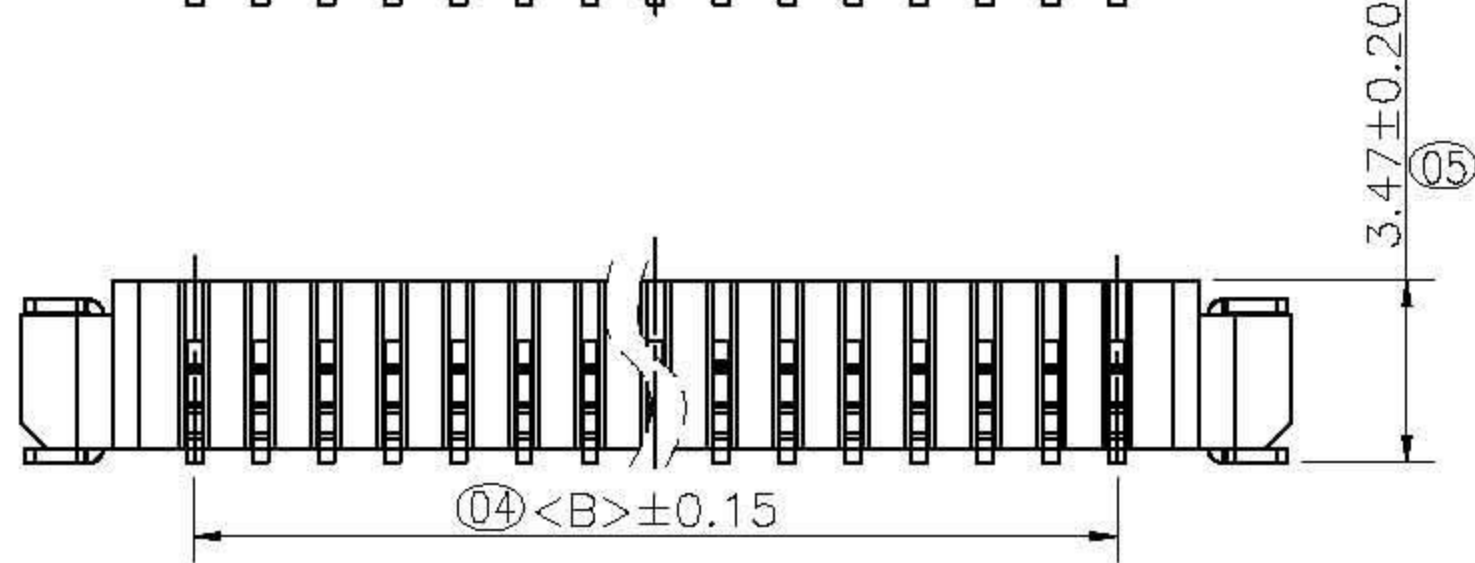
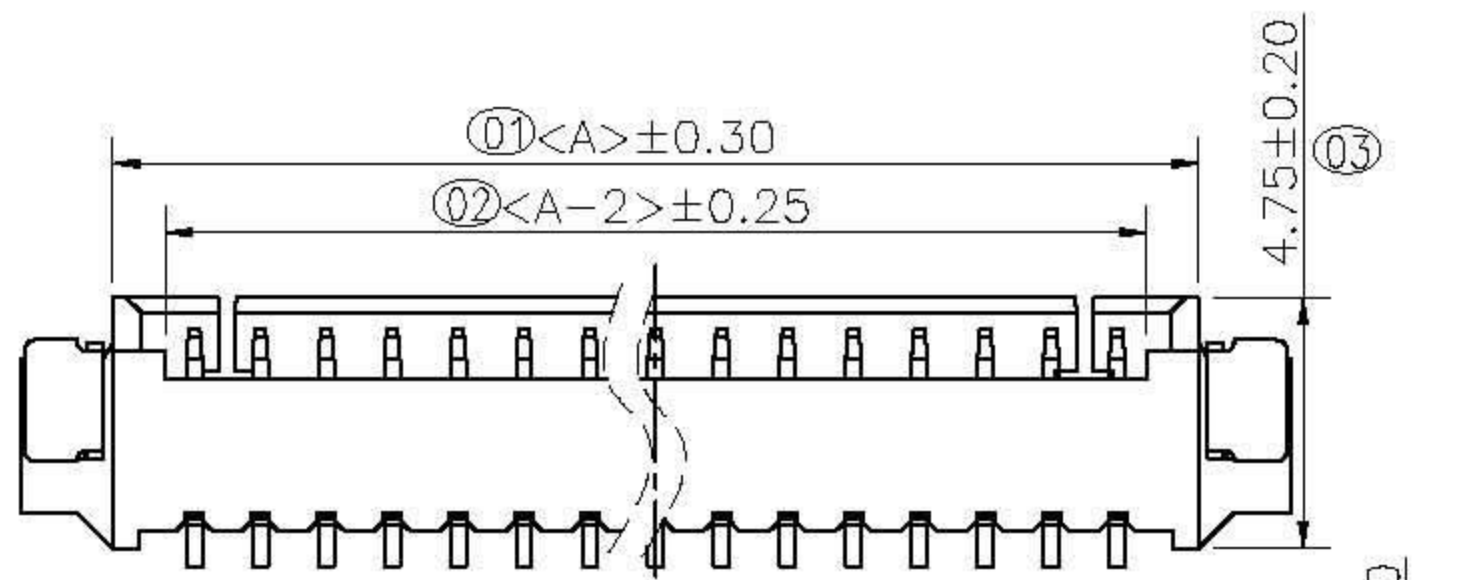
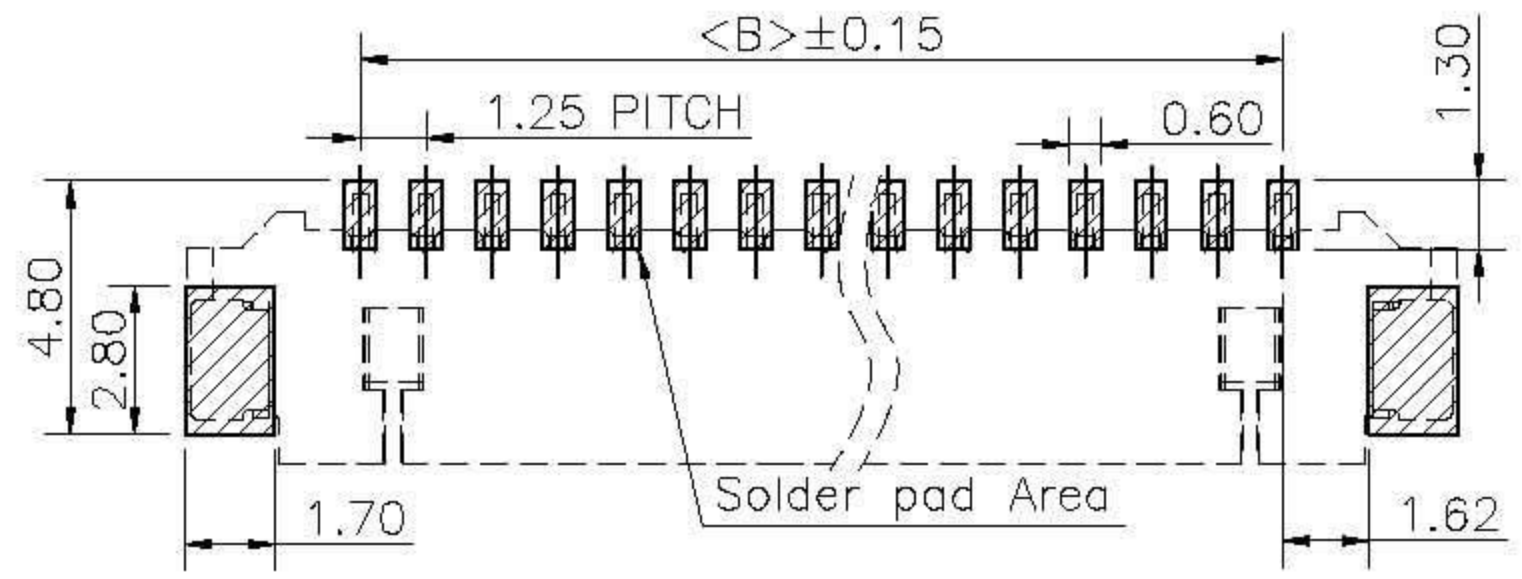


REV.	ECN NO.	DESCRIPTION	DATE	DESIGN
E	NAE09104	依工程图升级	05/11/09*	肖勇



NOTES:
 CURRENT RATING: 1A AC/DC
 VOLTAGE RATING: 125V AC/DC
 TEMPERATURE RANGE: -25°C~+85°C
 CONTACT RESISTANCE: 20m Ω MAX
 INSULATION RESISTANCE: 500M Ω MIN
 WITHSTANDING VOLTAGE: 500V AC/MINUTE

Recommended P.C.B Layout (Top Side)
 P.C.B Thickness = 1.20-1.60mm (Tolerance = ±0.05)



PART NO.	Dimensions		
	A	B	C
WF1250DR02	4.25	1.25	
WF1250DR03	5.50	2.50	
WF1250DR04	6.75	3.75	2.50
WF1250DR05	8.00	5.00	3.75
WF1250DR06	9.25	6.25	5.00
WF1250DR07	10.50	7.50	6.25
WF1250DR08	11.75	8.75	7.50
WF1250DR09	13.00	10.00	8.75
WF1250DR10	14.25	11.25	10.00
WF1250DR11	15.50	12.50	11.25
WF1250DR12	16.75	13.75	12.50
WF1250DR13	18.00	15.00	13.75
WF1250DR14	19.25	16.25	15.00
WF1250DR15	20.50	17.50	16.25

A1250HRSXX0	PA6T UL94V-0	本色
A1250TRSB010	BRASS	Ni:30u"; SN:70u" 雾锡
A1250TD10	BRASS	
A1250HRSXX0	PA6T UL94V-0	本色
A1250TRSB010	BRASS	Ni:30u"; SN:70u" 雾锡
A1250TD10	BRASS	
A1250HRSXX0	PA6T UL94V-0	本色
A1250TRSB000	BRASS	Ni:30u"; SN:70u" 亮锡
A1250TD00	BRASS	
A1250HRSXX0	PA6T UL94V-0	本色
A1250TRSB000	BRASS	Ni:30u"; SN:70u" 亮锡
A1250TD00	BRASS	
零件料号	材质	涂装

DIM	TOL	DIM	TOL
X.	/	X°.	/
X.X	±0.25	X.X°.	±2°
X.XX	±0.20	X.XX°.	±1°
X.XXX	±0.10	X.XXX°.	/

GXCON ENTERPRISE CO., LTD

DRAW NO.	DATE	P/N NO:	DRAW NAME:
DESIGN:		WF1250DRXX	MX 1.25 90° SMT Wafer
CHECK:		REV. E	SCALE 1:1
REVIEW:		UNIT: mm	SHEET: 1 OF 1